

Digital Cabinets

2-half door Refrigerator, -2+8°C, AISI 304, R600a

ITEM # _____

MODEL # _____

NAME # _____

SIS # _____

AIA # _____


790478 (ACARB3)

2-half door Refrigerator, -2+8°C, AISI 304, R600a - ASIA

Short Form Specification

Item No.

2-half door Refrigerator, -2+8°C. Structure in stainless steel. High-density expanded polyurethane insulating foam, 85 mm in thickness, with cyclopentane injection. Lockable doors, magnetic door seal and removable triple air chamber gasket. Digital control panel. Built-in refrigeration unit; coated finned evaporator with anti-corrosion treatment, completely automatic defrosting and automatic evaporation of defrost water. Internal LED light. For ambient temperatures up to 38 °C. R600 refrigerant gas for the lowest environmental impact - CFC and HCFC free.

Main Features

- Completely automatic defrosting and automatic evaporation of defrost water.
- Adjustable temperature range from -2 °C to +8 °C to suit meat, fish and dairy storage requirements.
- Doors are reversible and self closing.
- Removable triple air chamber gasket to guarantee hygiene and perfect insulation.
- Forced air circulation for rapid cooling and an even temperature distribution.
- Internal LED light for perfect internal visibility.
- Lockable doors.
- Digital control panel for temperature and parameter setting as well as to activate defrosting when necessary.
- Large storage area suitable to contain 2/1 GN grids.
- Performance guaranteed at ambient temperatures of +38°C.
- Moulded inner liner for high hygiene and cleanability.
- Electronics resistant to high voltage peaks.
- Coated finned evaporator with anti-corrosion treatment to avoid corrosion and to guarantee everlasting operation.
- HACCP compliant digital control: when temperature exceeds critical limits, acoustic and visual alarms are activated.
- Door frame heater avoids condensation build-up around the door frame.

Construction

- Developed and produced in ISO 9001 and ISO 14001 certified factory.
- Rounded internal corners for ease of cleaning.
- Internal panels and fittings in AISI 304 Stainless Steel.
- Built-in compressor.
- Magnetic door seal to guarantee perfect closure.
- External doors, front, back and side panels in AISI 304 Stainless Steel.

Sustainability



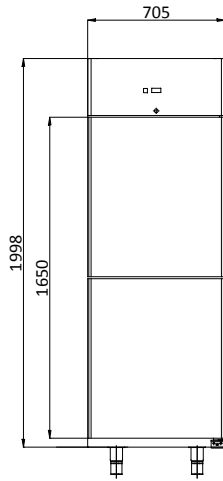
- CFC and HCFC-free insulation.
- High-density expanded polyurethane insulating foam, 85 mm in thickness, with cyclopentane injection for long-term insulation and energy saving.
- Hydrocarbon refrigerant gas for the lowest environmental impact - CFC and HCFC free.
- Low energy consumption thanks to high efficiency components, insulation and optimized airflow.

Optional Accessories

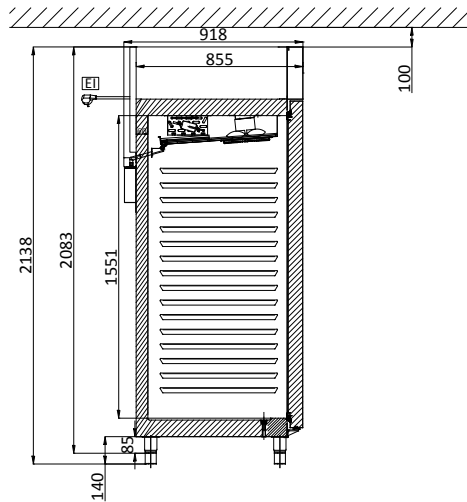
- Kit of 2/1GN shelf for Cabinets PNC 880624 with solid door

APPROVAL: _____

Front

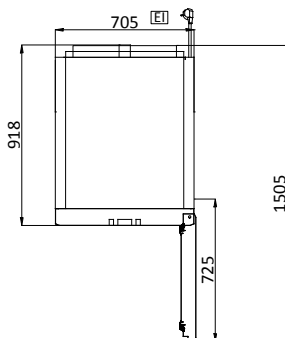


Side



EI = Electrical inlet (power)

Top



Electric

Supply voltage:

790478 (ACARB3) 220-240 V/1N ph/50 Hz

Electrical power max.:

0.165 kW

Key Information:

Gross capacity: 550 lt

External dimensions, Width: 705 mm

External dimensions, Depth: 918 mm

External dimensions, Depth with Doors Open: 1505 mm

External dimensions, Height: 2085 mm

Number and type of doors: 2x1/2 Full

Number and type of grids (included): 3 - GN 2/1

Stainless Steel AISI 304

Type of external material: Scotch Brite

Type of internal material: 304 AISI

Number of positions & pitch: 16; 75 mm

Refrigeration Data

Compressor power: 1/8 hp

Operating temperature min.: -2 °C

Operating temperature max.: 8 °C

Operating mode: Ventilated

Sustainability

Refrigerant type: R600a